



Product Information Sheet

MINITRAK™ SCANNER FAMILY

- MiniTrak S-Frame
- MiniTrak O-Frame

NDC's MiniTrak scanner family is designed for high-performance measurement to deliver quality web products

These reliable, cost-effective scanners share common spare parts for low cost of ownership and ease of service

The MiniTrak Scanner Family Includes both O-Frame and S-Frame Single-Sided Scanners, Each Designed Around a Robust, Economical Box-Beam Structure

The MiniTrak intelligent iFrame™ scanner family offers fast, accurate, reliable measurement that is tightly integrated into an intelligent, distributed web gauging architecture from NDC.

For plants with complex lines and multiple processes, the MiniTrak scanner family delivers the results that customers expect. For example, the MiniTrak O-Frame and Single-Sided scanners can be combined and configured with NDC's full sensor portfolio to provide a wide range of quality measurements.

The mechanical designs of both MiniTrak frames are based on a box-beam construction for excellent rigidity and measurement performance. Their linear bearing system and precision rails provide long life and deliver superior scanner run out. Because both the MiniTrak scanners use the same box-beam design and the primary components, plant operations become simplified for both the production and maintenance personnel.

Scanner reliability and performance are maximized by internally protecting the components within the frame. Scanner maintenance has been designed using modular parts that are easily replaced for minimum downtime.

Finally, the MiniTrak frames utilize a sealing brush system around the head carriage. This keeps foreign particulates out of the internal structure and prevents particles from falling onto the sheet.

MiniTrak O-Frame Scanner



Features and Benefits

- Intelligent scanner for fast, accurate, reliable measurement
- Box-beam construction for excellent rigidity
- Precision linear rail and bearing system for maximum measurement accuracy
- Compact footprint designed to fit into tight spaces
- Easy access to components through end covers
- Common, modular spare parts
- All operating components enclosed and protected
- Designed for excellent reliability and measurement performance
- Inverted upper beam prevents contaminants dropping onto the sheet



Product Information Sheet

The MiniTrak S-Frame Single Sided Scanner Provides a Rigid, Reliable Box-Beam Measurement Platform with Elegant Clean Lines

Design and Construction

The MiniTrak S-Frame supports both the backscatter and reflection family of intelligent iSensors™ from NDC. This frame is both compact and robust and requires minimal installation space to provide critical measurements from difficult process locations.

The MiniTrak S-Frame incorporates an intelligent iFrame module that manages the scanner, sensor and control operations for high system integrity and responsive measurement and control. The MiniTrak S-Frame can support up to two scanning backscatter intelligent iSensors. For improved reliability and reduced maintenance costs, these sensors do not require complex multicore power tracks. Finally, a top mount transport carriage prevents scanner debris from falling onto the sheet, while hinged end covers allow complete access to all critical drive components for easy maintenance and repair.

Specifications

- Web Width:** 38.6in to 245in
(980 to 6230mm)
- Scanning Load:** 85lbs. (38.5kg)
- Scanning Speed:** 0.50in/s to 10in/s
(13mm/s to 254mm/s)
- Position Repeatability:** ±0.02in (±0.5mm)
- Operating Temperature:** 32° to 160°F (0° to 70°C)
Air purge required above 122°F (50°C)

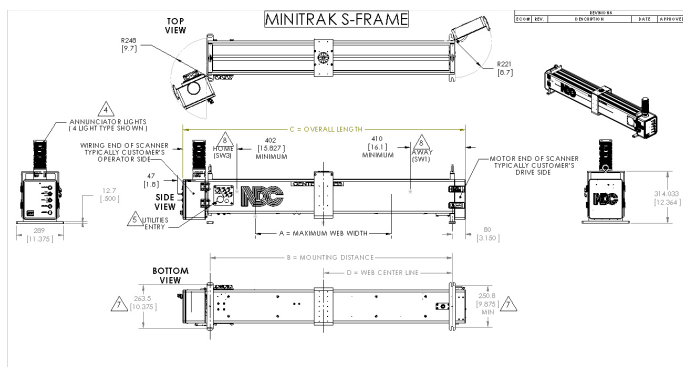


Features

- Supports up to two reflection sensors
- Unique eight-way mount allows mounting of sensor probe to best suit the process
- All critical operating components accessible from scanner ends for easy maintenance
- GBS sensor breakaway option protects gauge from damage due to accidental contact with the moving web

MiniTrak S-Frame Scanner Dimensional Table

DASH NO.	DIMENSIONS							
	A		B		C		D	
	WEB WIDTH	MOUNTING DIST	OVERALL DIST	CENTERLINE DIST				
(-XXXX)	(mm)	(in)	(mm)	(in)	(mm)	(in)	(mm)	(in)
0980	980	38.6	1625	64.0	1853	72.9	840	33.1
1130	1130	44.5	1775	69.9	2003	78.9	915	36.0
1280	1280	50.4	1925	75.8	2153	84.8	990	39.0
1430	1430	56.3	2075	81.7	2303	90.7	1065	41.9
1580	1580	62.2	2225	87.6	2453	96.6	1140	44.9
1730	1730	68.1	2375	93.5	2603	102.5	1215	47.8
1880	1880	74.0	2525	99.4	2753	108.4	1290	50.8
2030	2030	79.9	2675	105.3	2903	114.3	1365	53.7
2180	2180	85.8	2825	111.2	3053	120.2	1440	56.7
2330	2330	91.7	2975	117.1	3203	126.1	1515	59.6
2480	2480	97.6	3125	123.0	3353	132.0	1590	62.6
2630	2630	103.5	3275	128.9	3503	137.9	1665	65.5
2780	2780	109.4	3425	134.8	3653	143.8	1740	68.5
2930	2930	115.3	3575	140.7	3803	149.7	1815	71.4
3080	3080	121.3	3725	146.6	3953	155.6	1890	74.4
3230	3230	127.2	3875	152.5	4103	161.5	1965	77.3
3380	3380	133.1	4025	158.4	4253	167.4	2040	80.3
3530	3530	139.0	4175	164.4	4403	173.3	2115	83.3
3680	3680	144.9	4325	170.3	4553	179.2	2190	86.2
3830	3830	150.8	4475	176.2	4703	185.2	2265	89.2
3980	3980	156.7	4625	182.1	4853	191.1	2340	92.1
4130	4130	162.6	4775	188.0	5003	197.0	2415	95.1
4280	4280	168.5	4925	193.9	5153	202.9	2490	98.0
4430	4430	174.4	5075	199.8	5303	208.8	2565	101.0
4580	4580	180.3	5225	205.7	5453	214.7	2640	103.9
4730	4730	186.2	5375	211.6	5603	220.6	2715	106.9
4880	4880	192.1	5525	217.5	5753	226.5	2790	109.8
5030	5030	198.0	5675	223.4	5903	232.4	2865	112.8
5180	5180	203.9	5825	229.3	6053	238.3	2940	115.7
5330	5330	209.8	5975	235.2	6203	244.2	3015	118.7
5480	5480	215.7	6125	241.1	6353	250.1	3090	121.6
5630	5630	221.6	6275	247.0	6503	256.0	3165	124.6
5780	5780	227.5	6425	252.9	6653	261.9	3240	127.5
5930	5930	233.4	6575	258.8	6803	267.8	3315	130.5
6080	6080	239.3	6725	264.7	6953	273.7	3390	133.4
6230	6230	245.3	6875	270.6	7103	279.6	3465	136.4





Product Information Sheet

The MiniTrak O-Frame is Designed for Smaller Process Lines Where Space is at a Premium

Design and Construction

The MiniTrak O-Frame scanner supports up to two quality sensors with either the intelligent backscatter, reflection and/or transmission iSensors™ from NDC. Its compact design needs a minimum footprint in order to deliver exceptional measurement performance. The 8" box section structure enables this compact scanner to fit into some of the most demanding process locations, while the top mount transport carriage prevents scanner debris from falling onto the sheet.

The MiniTrak O-Frame design offers several key advantages. Its box-beam shell, precision rails and bearings, and steel-reinforced timing belts combine to form a robust sensor transport system with tight tolerances in all three axes. This provides precise sensor alignment for NDC's transmission sensors, including beta and infrared to help build accurate profiles and excellent APC performance.

The MiniTrak O-Frame incorporates an intelligent iFrame module that manages the scanner operations for high system integrity and responsive measurement and control.

Features

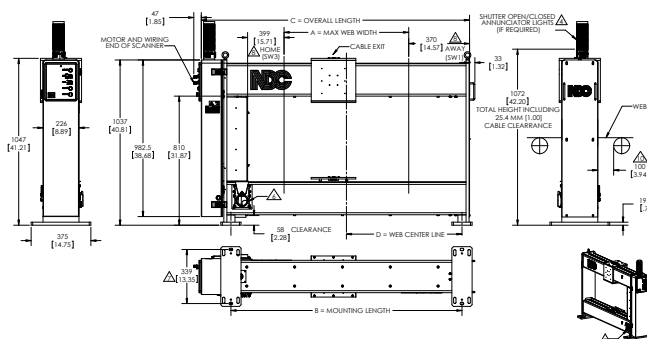
- Supports up to two transmission or reflection sensors
- Robust design for accurate, reliable measurement
- Significantly better mechanical run-out than competitive economy scanners for better cross-web measurement and control

MiniTrak O-Frame Scanner Dimensional Table

DASH NO.	DIMENSIONS							
	A		B		C		D	
	WEB WIDTH		MOUNTING LENGTH		OVERALL LENGTH		WEB CENTER LINE	
(X1000)	(mm)	(in)	(mm)	(in)	(mm)	(in)	(mm)	(in)
0575	575	22.6	1449	57.0	1672	65.8	637	25.1
0725	725	28.5	1599	63.0	1822	71.7	712	28.0
0875	875	34.4	1749	68.9	1972	77.6	787	31.0
1025	1025	40.4	1899	74.8	2122	83.5	862	33.9
1175	1175	46.3	2049	80.7	2272	89.4	937	36.9
1325	1325	52.2	2199	86.6	2422	95.4	1012	39.8
1475	1475	58.1	2349	92.5	2572	101.3	1087	42.8
1625	1625	64.0	2499	98.4	2722	107.2	1162	45.7
1775	1775	69.9	2649	104.3	2872	113.1	1237	48.7
1925	1925	75.8	2799	110.2	3022	119.0	1312	51.7
2075	2075	81.7	2949	116.1	3172	124.9	1387	54.6
2225	2225	87.6	3099	122.0	3322	130.8	1462	57.6

Specifications

- Web Width:** 22.6in to 87in (575mm to 2225mm)
- Scanning Load:** Two sensors on both upper and lower carriages. 150lb total (68kg)
- Scanning Speed:** 0.50in/s to 10in/s (13mm/s to 254mm/s)
- Position Repeatability:** ±0.02in (±0.5mm)
- X, Y, Z Axis Precision:** X (scan direction) ± 0.025in (±0.62mm)
Y (machine direction) ±0.020in (±0.50mm)
Z (vertical direction) ±0.020in (±0.50mm)
- Operating Temperature:** 32° to 160°F (0° to 70°C)
Air purge required above 122°F (50°C)



NDC is represented in over 60 countries worldwide

a spectris company



Reg. No Q06197
ISO9001:2008

www.ndcinfrared.com

NDC Infrared Engineering Inc
5314 North Irwindale Avenue
Irwindale, CA 91706
United States of America

Tel: +1 626 960 3300
Fax: +1 626 939 3870

Email: info@ndcinfrared.com

NDC Infrared Engineering Ltd
Bates Road, Maldon
Essex, CM9 5FA
United Kingdom

Tel: +44 1621 852244
Fax: +44 1621 856180

Email: sales@ndcinfrared.co.uk

NDC China
Tel: +86 20 8666 2790
Email: ndcgz@ndcinfrared.com.cn

NDC Germany
Tel: +49 1801 977112
Email: info@ndcinfrared.de

NDC Asia Pacific
Tel: +65 9199-4120
Email: apacsales@ndc.com

NDC France
Tel: N° Azur: 0810 600 400
Email: info@ndcinfrared.fr

NDC Japan
Tel: +81 3 3255 8157
Email: info@ndcinfrared.jp

NDC Italy
Tel: +39 (0331) 454207
Email: info@ndcinfrared.uk